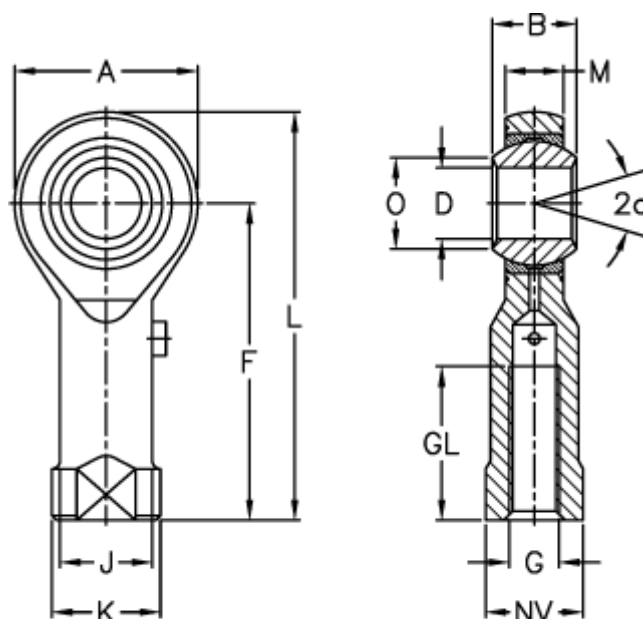


Article number: 03016018

Description: Fluro Rod End GIRS 18-RR
Stainless steel complete

Measures



Str. 3 uden smørenippel

A	= 46	J	= 25	Weight (g) = 320
a (degrees)	= 15	K	= 31	
B	= 23	L	= 94	
D	= 18	M	= 16.5	
Dynamic load C (kN)	= 26	NV	= 27	
F	= 71	O	= 21.8	
G	= M18x1,5	Permissible rpm	= 600	
GL	= 32	Static load C0 (kN)	= 73	